



SURE ROCK OPAQUE FIBERGLASS ENTRY DOORS

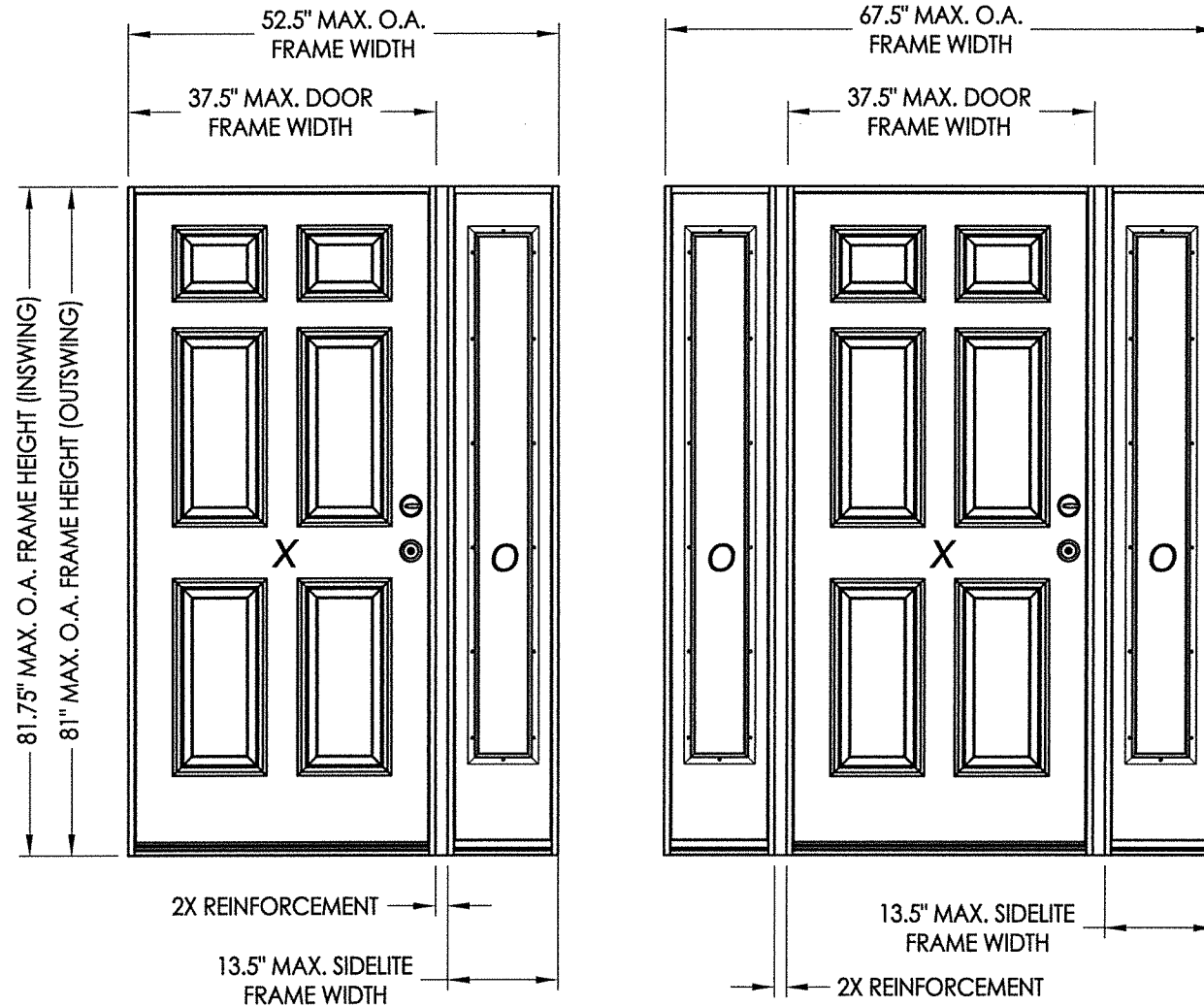
IN SWING / OUT SWING "NON-IMPACT"

GENERAL NOTES

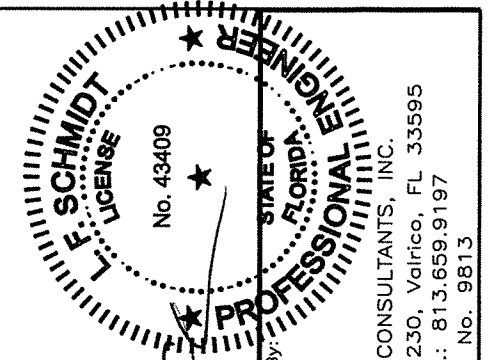
1. This product has been evaluated and is in compliance with the 6th Edition (2017) Florida Building Code (FBC) structural requirements excluding the "High Velocity Hurricane Zone" (HVHZ).
2. Product anchors shall be as listed and spaced as shown on details. Anchor embedment to base material shall be beyond wall dressing or stucco.
3. When used in areas requiring wind borne debris protection, this product is required to be protected with an impact resistant covering that complies with FBC Sections 1609.1.2 & R301.2.1.2.
4. For 2x stud framing construction, anchoring of these units shall be the same as that shown for 2x buck masonry construction.
5. Site conditions that deviate from the details of this drawing require further engineering analysis by a licensed engineer or registered architect.

TABLE OF CONTENTS

SHEET #	DESCRIPTION
1	Typical Elevations, Design Pressures & General Notes
2	Door Panel Details
3	Sidelite Panel Details
4	Elevations
5	Horizontal & Vertical Cross Sections (2X Buck)
6	Horizontal & Vertical Cross Sections (1X Buck)
7	Horizontal & Vertical Cross Sections (Direct to Masonry)
8	Vertical Cross Sections (Thresholds)
9	Buck Anchoring
10	Frame Anchoring
11	Bill of Materials & Components



CONFIGURATION	MAX. FRAME DIMENSION	REINFORCEMENT	DESIGN PRESSURE (PSF) IN SWING		DESIGN PRESSURE (PSF) OUT SWING	
			POSITIVE	NEGATIVE	POSITIVE	NEGATIVE
XO/OX	52.5" x 81.75"	2X	+45.0	-55.0	+45.0	-45.0
OXO	67.5" x 81.75"	2X	+45.0	-55.0	+45.0	-45.0



Documents Prepared By:
Lyndon F. Schmidt
P.E. No. 43409

LFS
8-3-17

RW BUILDING CONSULTANTS, INC.
P.O. Box 230, Valrico, FL 33595
Phone No.: 813.659.9197
FBPE C.A. No. 9813

PRODUCT: SURE ROCK FIBERGLASS DOORS

PART OR ASSEMBLY: TYPICAL ELEVATION, DESIGN PRESSURES & GENERAL NOTES

NO.	DATE	BY	REVISIONS
1	8/03/17	LFS	UPDATE TO 6TH ED. (2017) FBC

DATE: 5/17/16

SCALE: N.T.S.

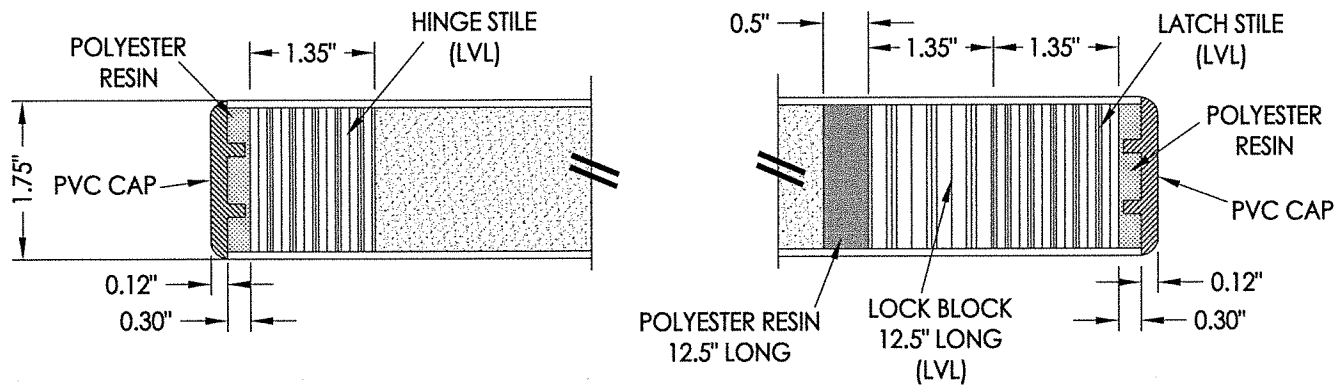
DWG. BY: JK

CHK. BY: LFS

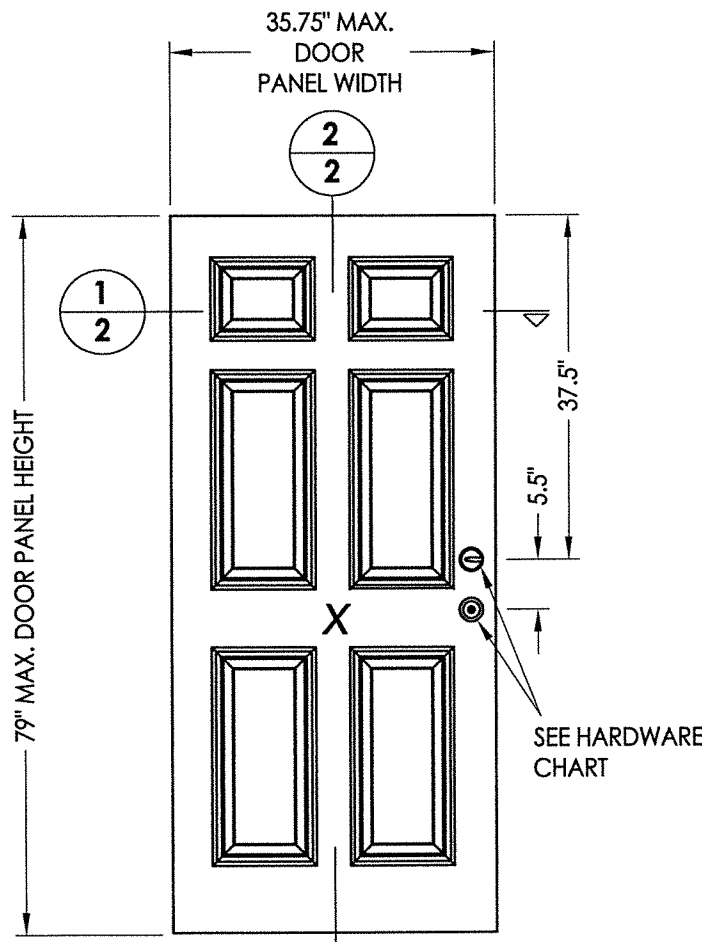
DRAWING NO.: FL-20474.2

SHEET 1 OF 11

R:\Clients\HM Sure Rock PERMANENTVA - Florida Product Approvals\FL-20474\C - Drawings\FL-20474 (2014)\FL-20474.1-3.dwg, 2.2



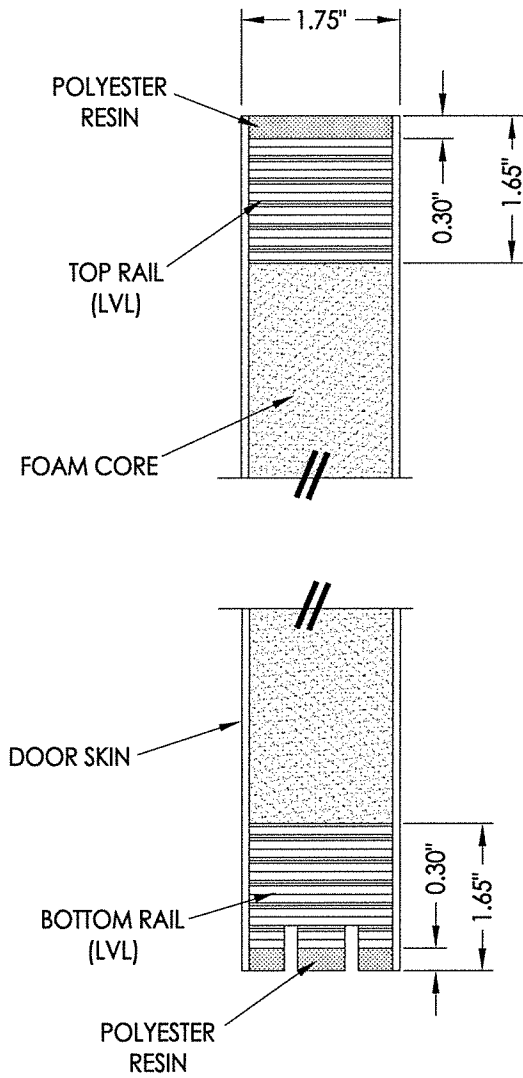
1
2 HORIZONTAL CROSS SECTION



40 DOOR PANEL

HARDWARE TABLE	
MANUFACTURER	MODEL
KWIKSET	KNOB: Signature Series
	DEADBOLT: Signature Series (980)
SCHLAGE	KNOB: F Series (F51)
	DEADBOLT: B Series (B60N)

FIBERGLASS DOOR SKIN: MIN. 0.080" THK.
CORE MATERIAL: POLYURETHANE FOAM (1.9 PCF MIN.)



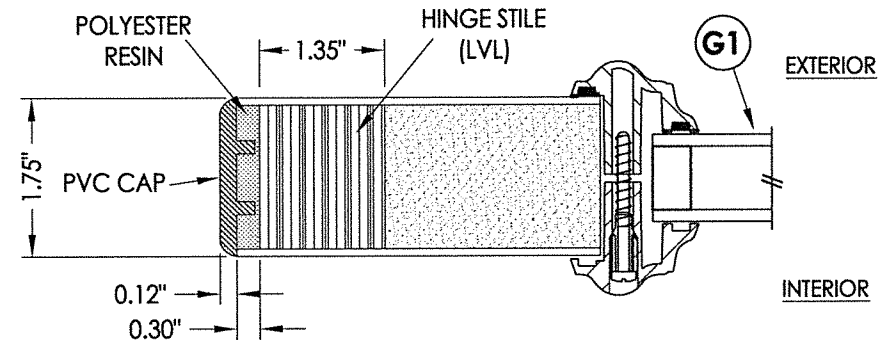
2
2 VERTICAL CROSS SECTION

Documents Prepared By: *LFS*
 Lyndon F. Schmidt
 P.E. No. 43409

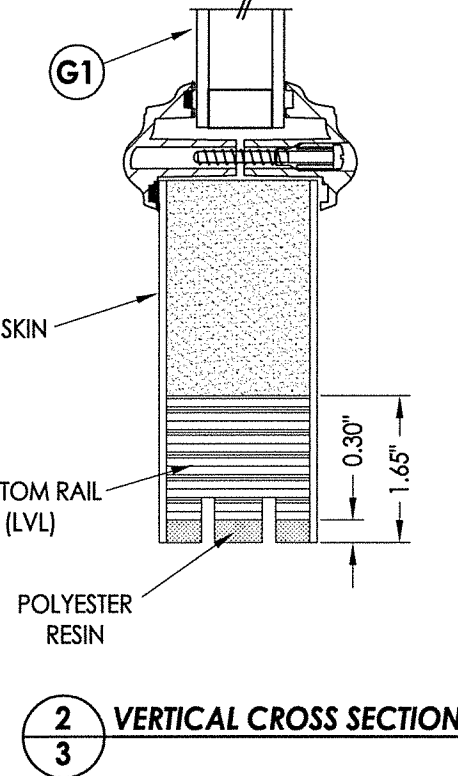
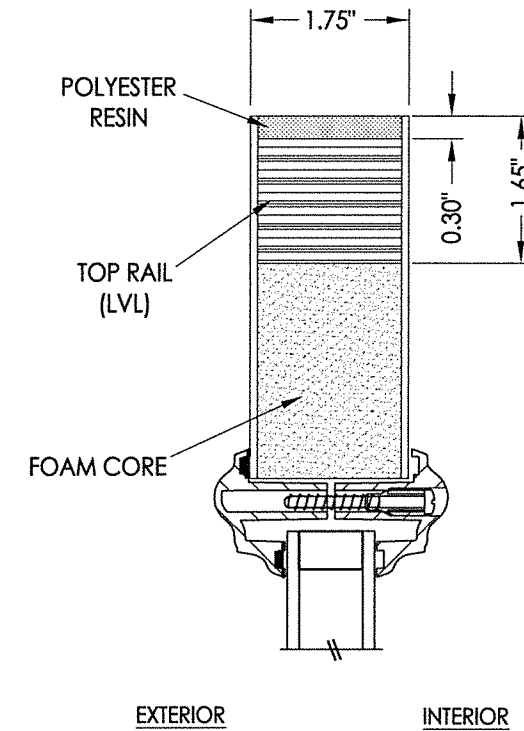
R.W.
 BUILDING CONSULTANTS, INC.
 P.O. Box 230, Valrico, FL 33595
 Phone No.: 813.659.9197
 FBPE C.A. No. 9813

PRODUCT:	SURE ROCK FIBERGLASS DOORS
PART OR ASSEMBLY:	DOOR PANEL DETAILS
DATE:	5/17/16
SCALE:	N.T.S.
DWG. BY:	JK
CHK. BY:	LFS
DRAWING NO.:	FL-20474.2
SHEET	2 OF 11

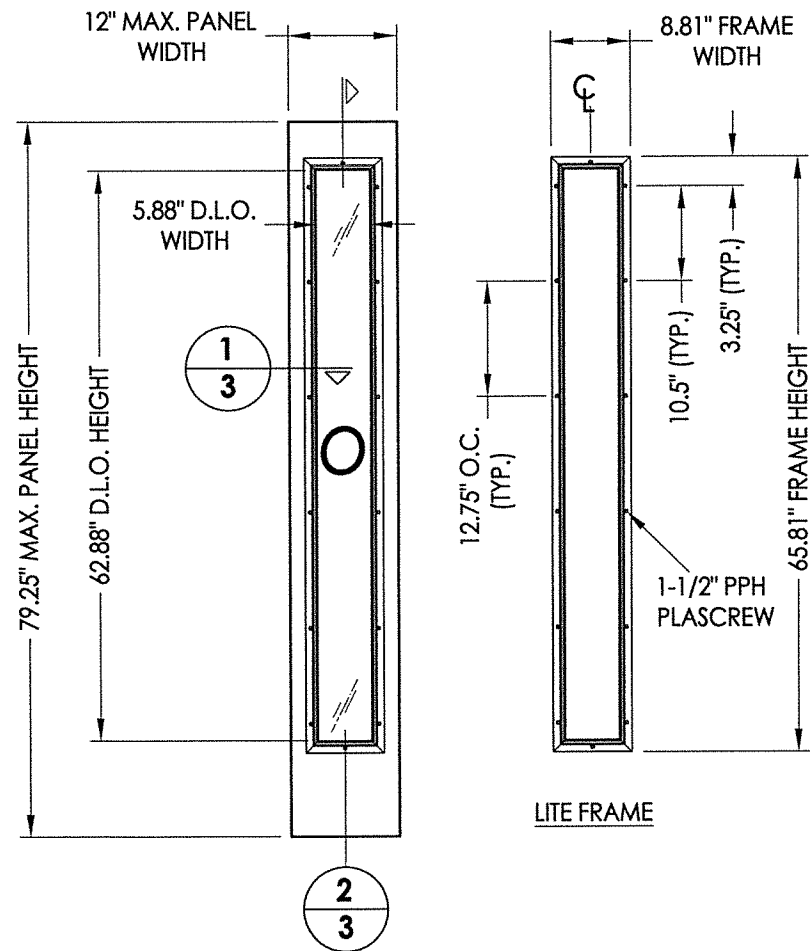
R:\Clients\HM Sure Rock PERMANENTVA - Florida Product Approvals\FL-20474\Drawings\FL-20474\FL-20474-1-3.dwg, 3.2



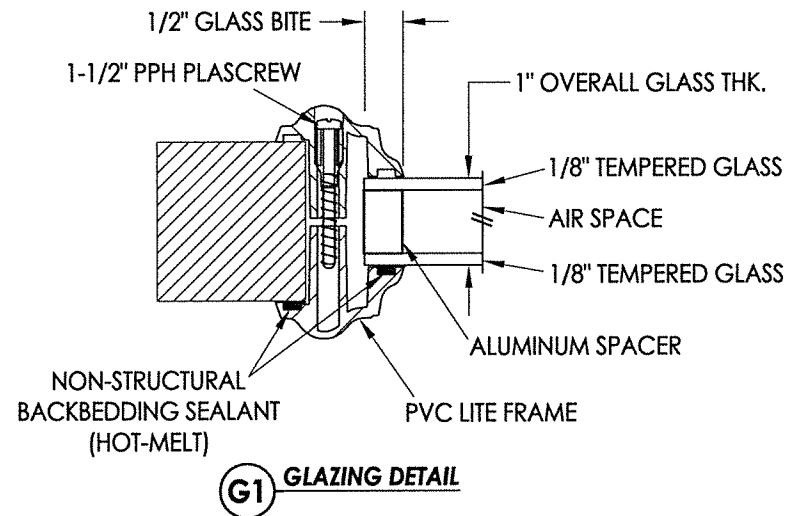
1 HORIZONTAL CROSS SECTION
3



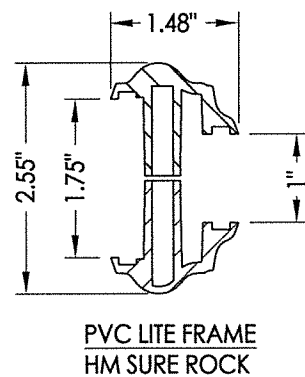
2 VERTICAL CROSS SECTION
3



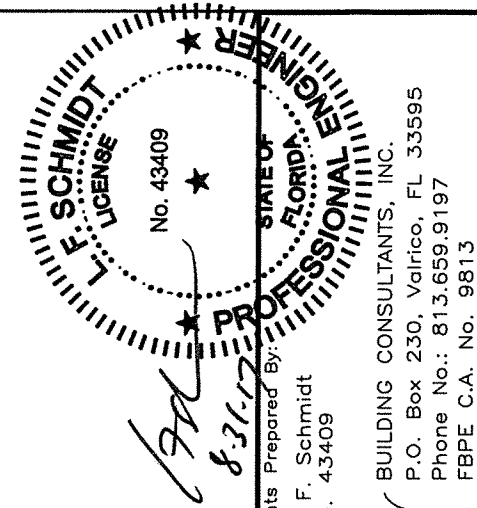
40 SIDELITE PANEL



G1 GLAZING DETAIL



PVC LITE FRAME
HM SURE ROCK

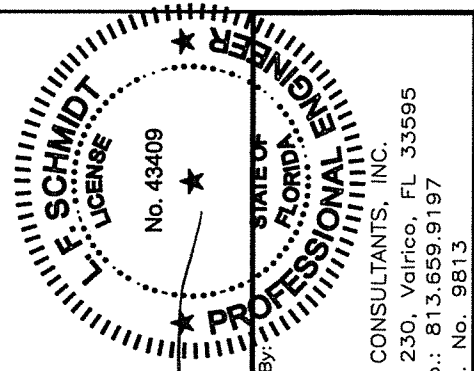
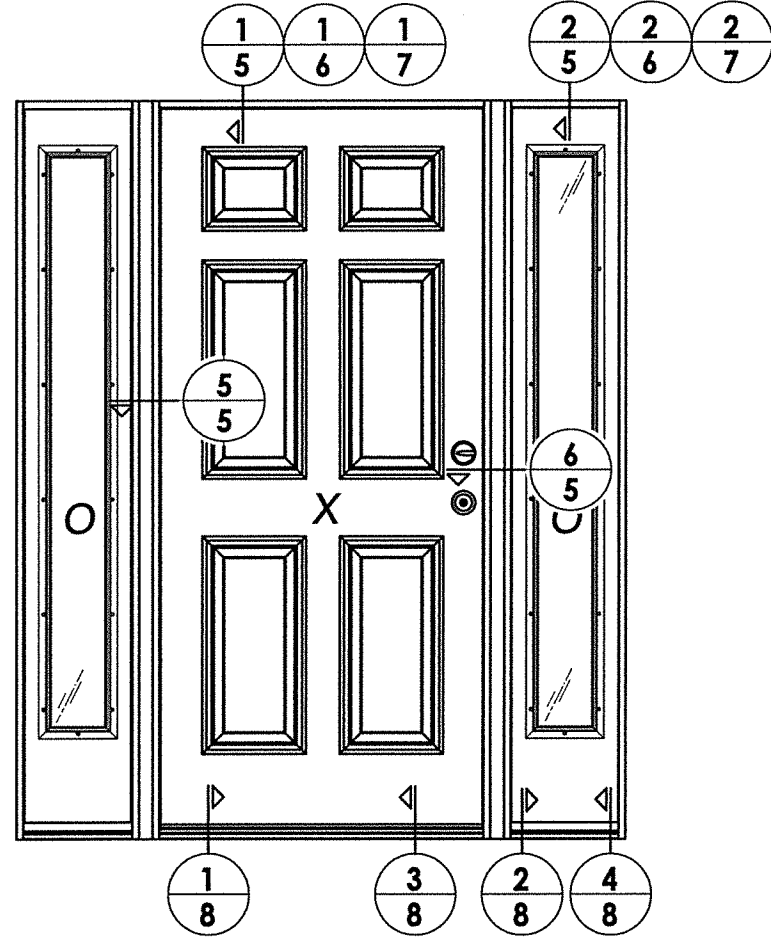
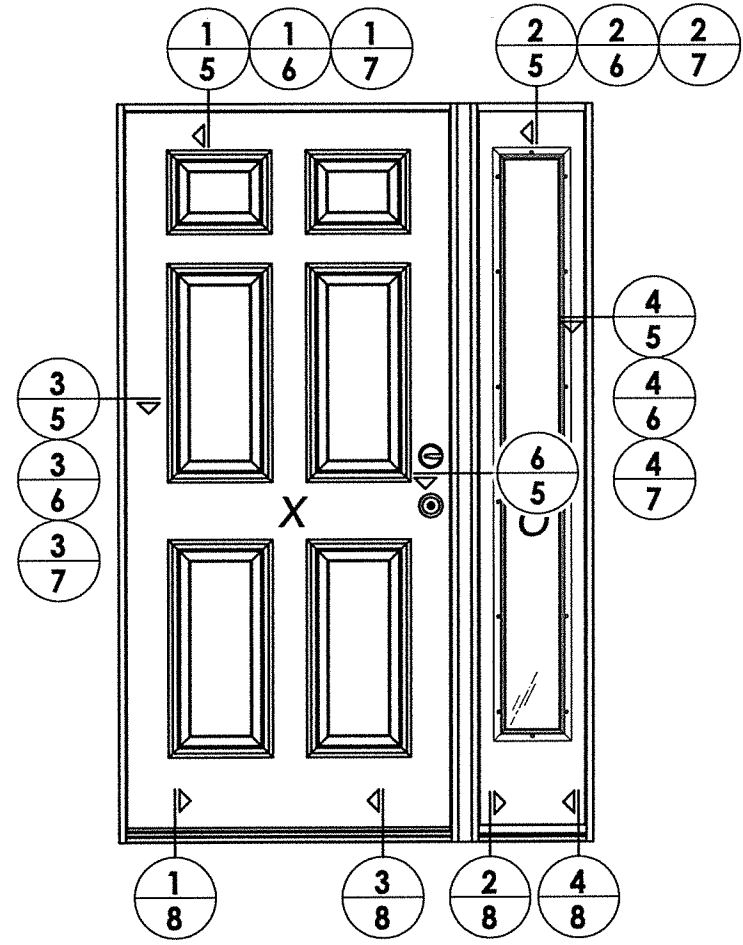


Documents Prepared By:
Lyndon F. Schmidt
P.E. No. 43409

R.W.
BUILDING CONSULTANTS, INC.
P.O. Box 230, Valrico, FL 33595
Phone No.: 813.659.9197
FBPE C.A. No. 9813

PRODUCT:		SURE ROCK FIBERGLASS DOORS	
PART OR ASSEMBLY:		SIDELITE PANEL DETAILS	
NO.	DATE	BY	REVISIONS
1	8/03/17	LFS	UPDATE TO 6TH ED. (2017) FBC
DATE:		5/17/16	
SCALE:		N.T.S.	
DWG. BY:		JK	
CHK. BY:		LFS	
DRAWING NO.:		FL-20474.2	
SHEET		3 OF 11	

FIBERGLASS SIDELITE SKIN: MIN. 0.070" THK.
CORE MATERIAL: POLYURETHANE FOAM (1.9 PCF MIN.)



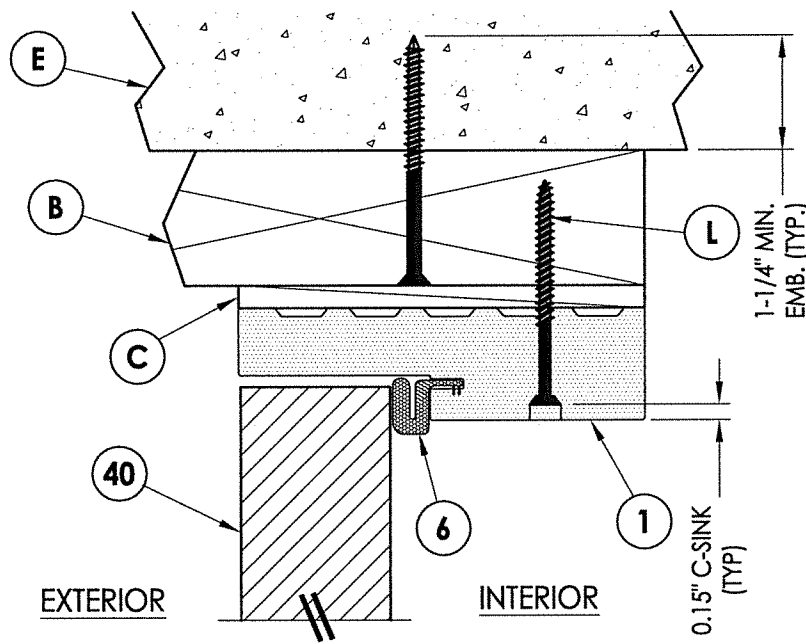
LFS
 8.3.12
 Documents Prepared By:
 Lyndon F. Schmidt
 P.E. No. 43409

RW
 BUILDING CONSULTANTS, INC.
 P.O. Box 230, Vairico, FL 33595
 Phone No.: 813.659.9197
 FBPE C.A. No. 9813

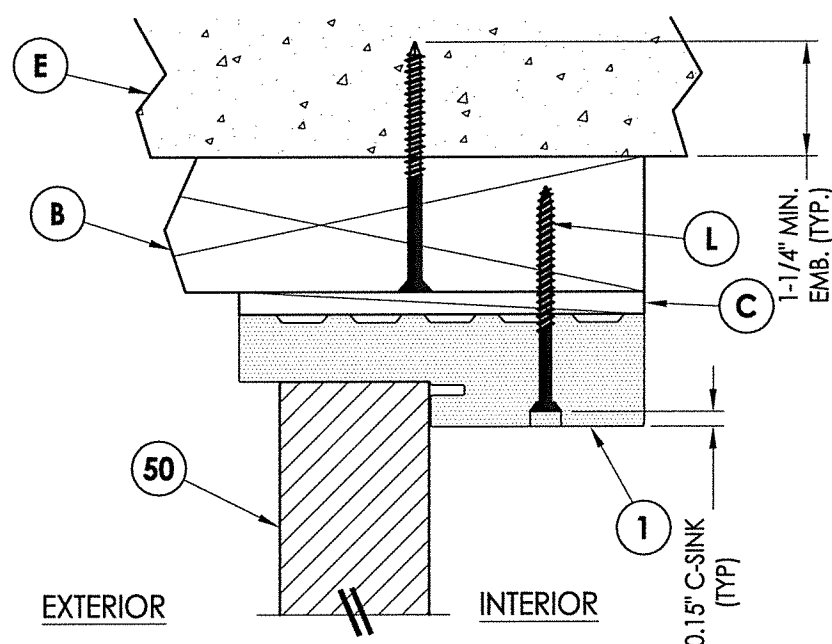
PRODUCT:		SURE ROCK FIBERGLASS DOORS	
PART OR ASSEMBLY:		ELEVATIONS	
NO.	DATE	BY	REVISIONS
1	8/03/17	FBC	UPDATE TO 6TH ED. (2017)
		LFS	

DATE: 5/17/16
 SCALE: N.T.S.
 DWG. BY: JK
 CHK. BY: LFS
 DRAWING NO.:
 FL-20474.2
 SHEET 4 OF 11

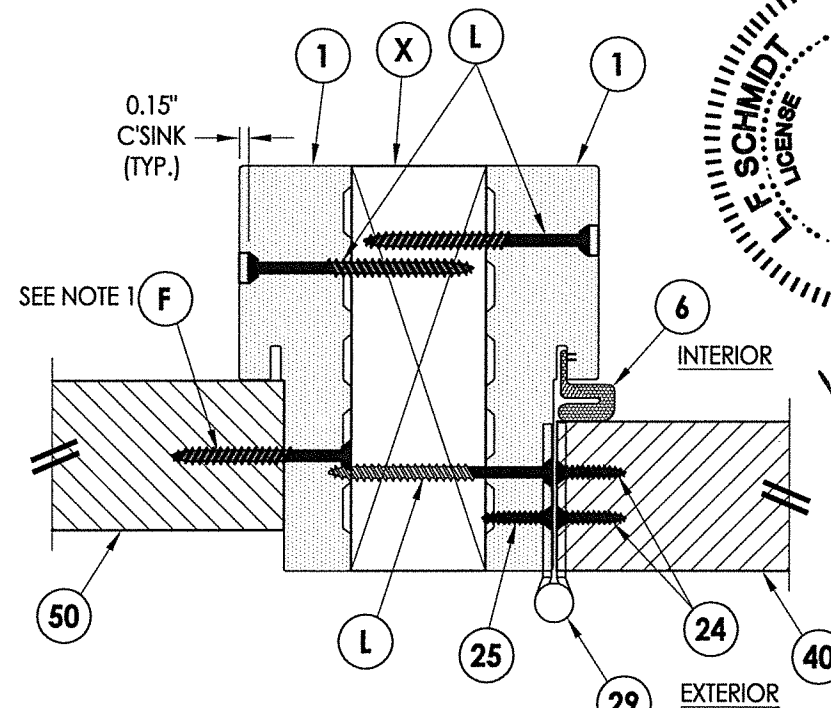
R:\Clients\HM Sure Rock PERMANENTVA - Florida Product Approvals\FL-20474\C - Drawings\FL-20474 (2014)\FL-20474.1-3.dwg, 5.2



1 VERTICAL CROSS SECTION
5 Outswing shown (Inswing similar)

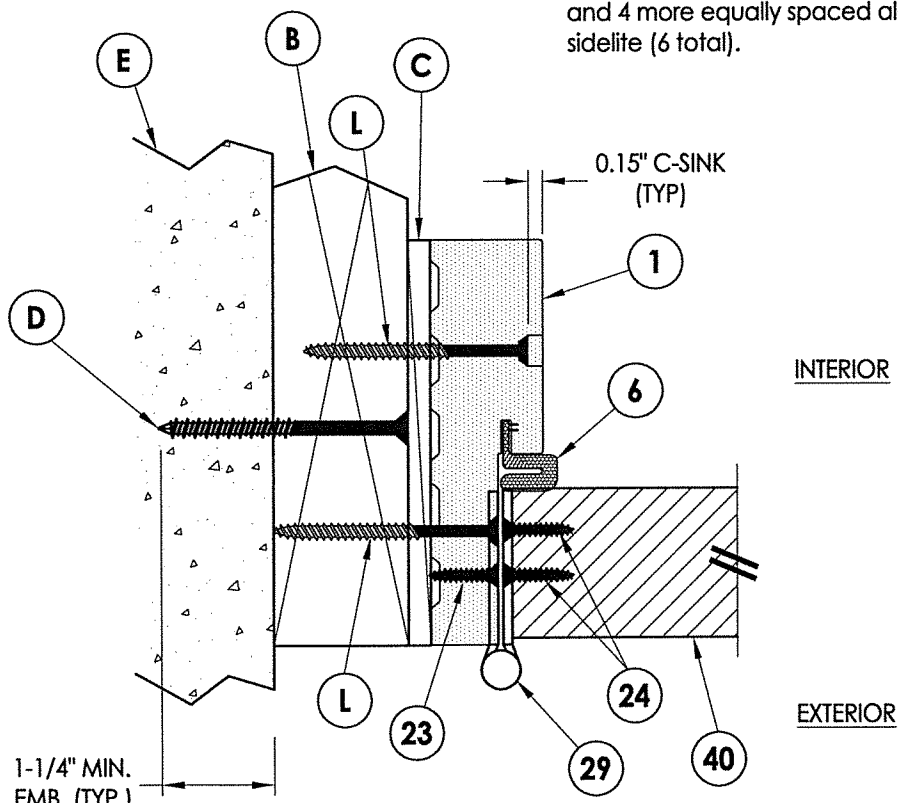


2 VERTICAL CROSS SECTION
5 Outswing shown (Inswing similar)

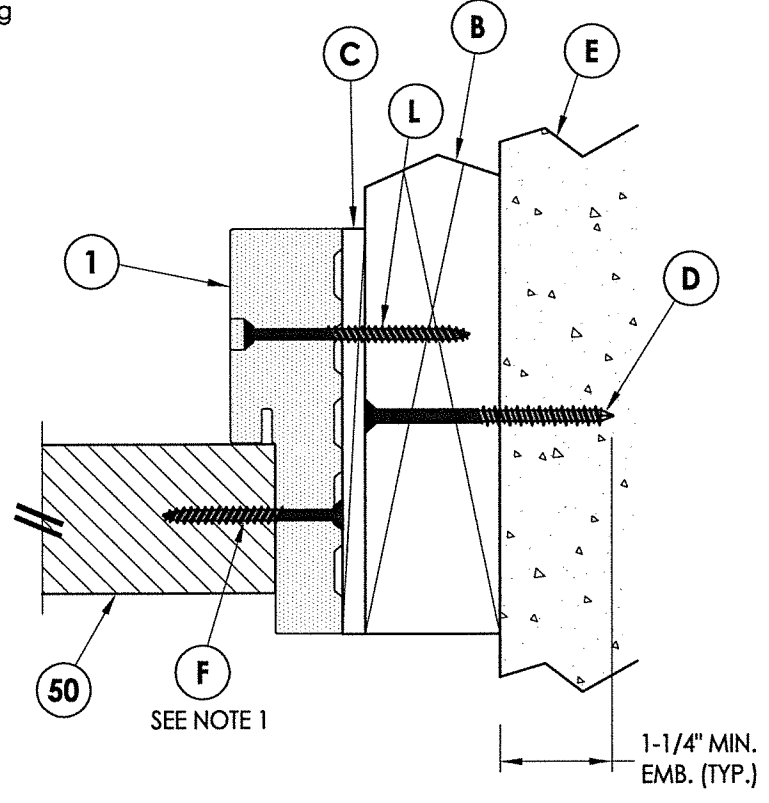


5 HORIZONTAL CROSS SECTION
5 Outswing shown (Inswing similar)

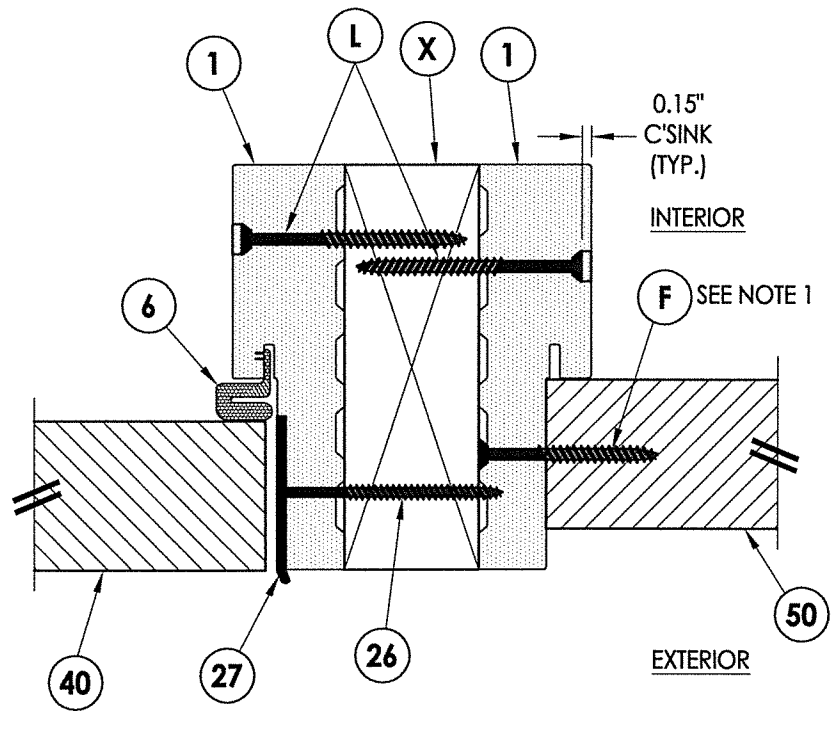
NOTE:
1. Spacing for item F: 6" from ends and 4 more equally spaced along sidelite (6 total).



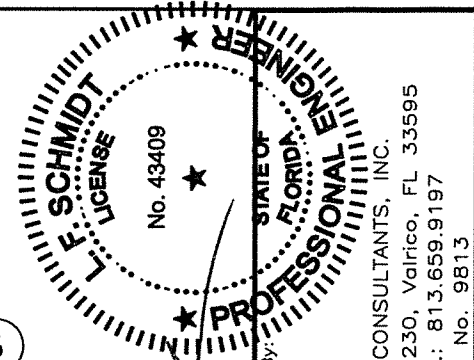
3 HORIZONTAL CROSS SECTION
5 Outswing shown (Inswing similar)



4 HORIZONTAL CROSS SECTION
5 Outswing shown (Inswing similar)



6 HORIZONTAL CROSS SECTION
5 Outswing shown (Inswing similar)



Documents Prepared By:
Lyndon F. Schmidt
P.E. No. 43409

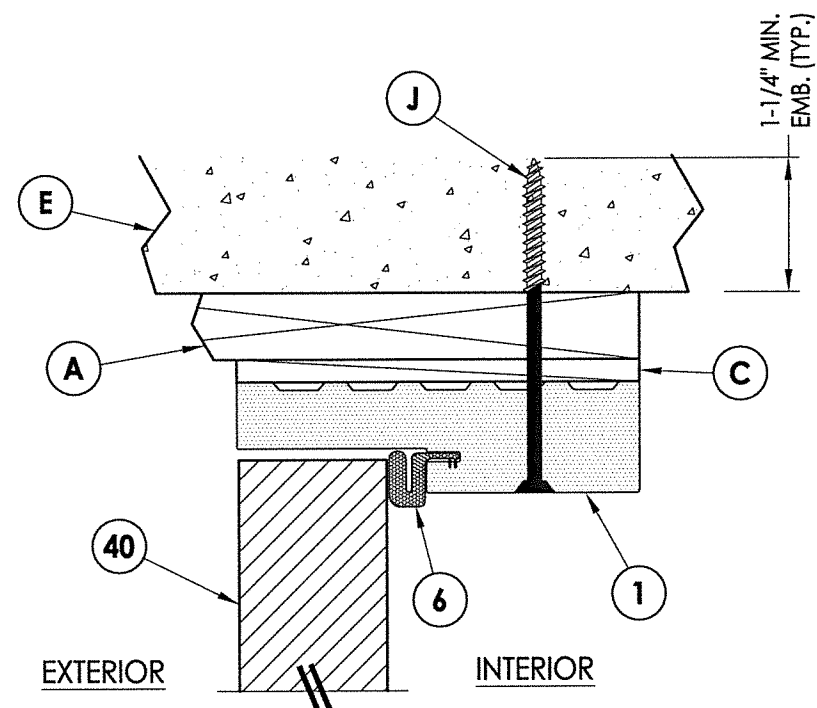
R.W.
BUILDING CONSULTANTS, INC.
P.O. Box 230, Valrico, FL 33595
Phone No.: 813.659.9197
FBPE C.A. No. 9813

PRODUCT: SURE ROCK FIBERGLASS DOORS

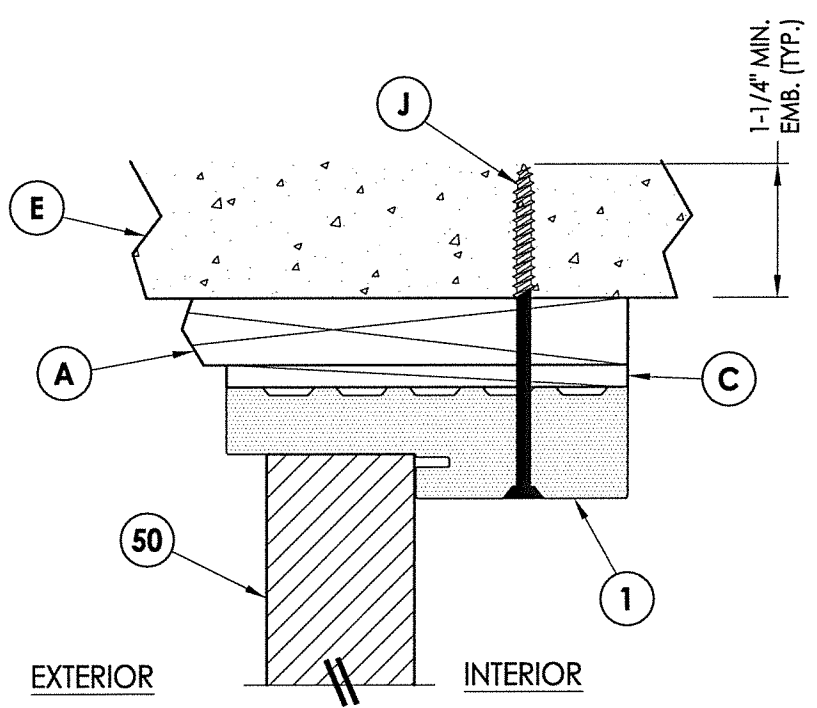
PART OR ASSEMBLY: HORIZONTAL & VERTICAL CROSS SECTIONS (2X BUCK)

NO.	DATE	BY	REVISIONS
1	8/03/17	LFS	UPDATE TO 6TH ED. (2017) FBC

DATE: 5/17/16
SCALE: N.T.S.
DWG. BY: JK
CHK. BY: LFS
DRAWING NO.: FL-20474.2
SHEET 5 OF 11

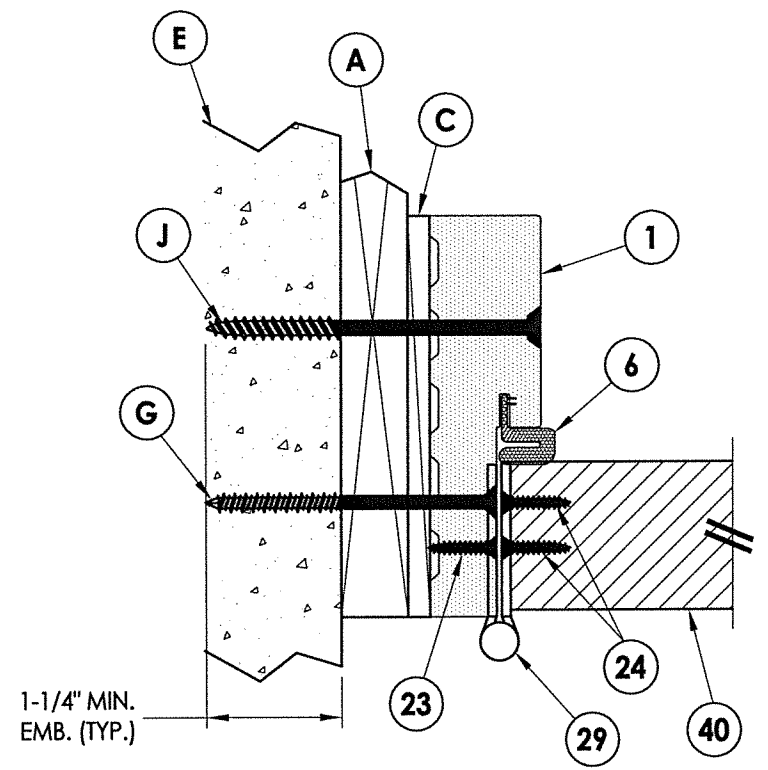


1 VERTICAL CROSS SECTION
6 Outswing shown (Inswing similar)

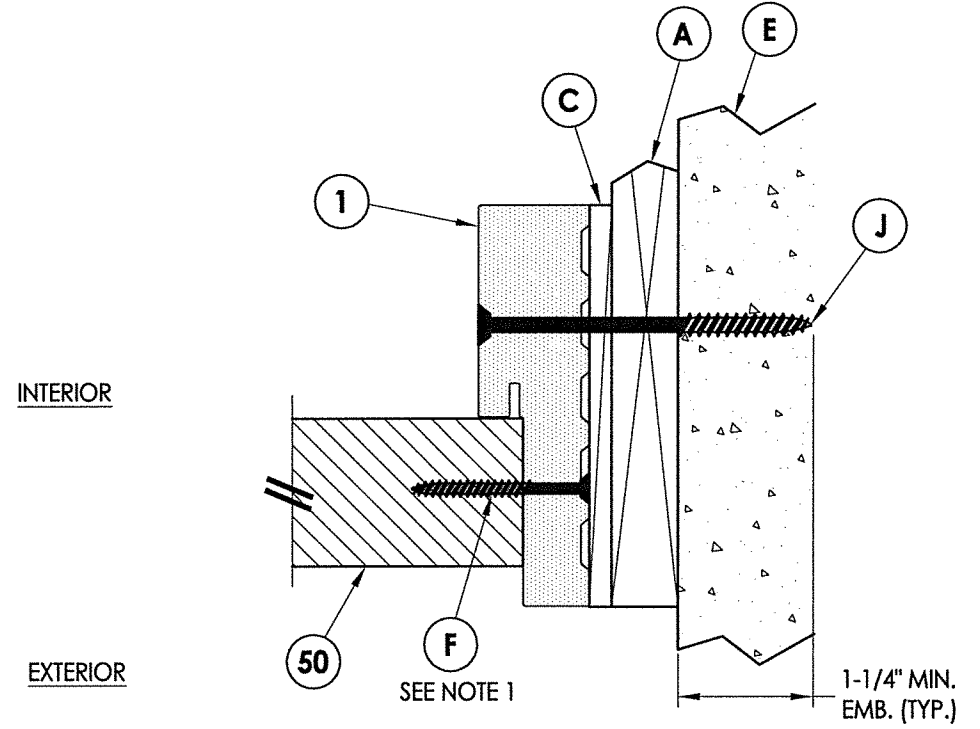


2 VERTICAL CROSS SECTION
6 Outswing shown (Inswing similar)

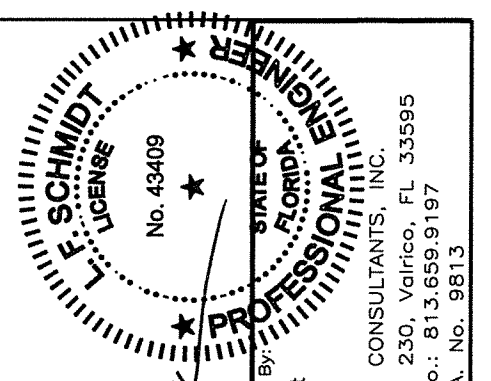
NOTE:
 1. Spacing for item F: 6" from ends and 4 more equally spaced along sidelite (6 total).



3 HORIZONTAL CROSS SECTION
6 Outswing shown (Inswing similar)

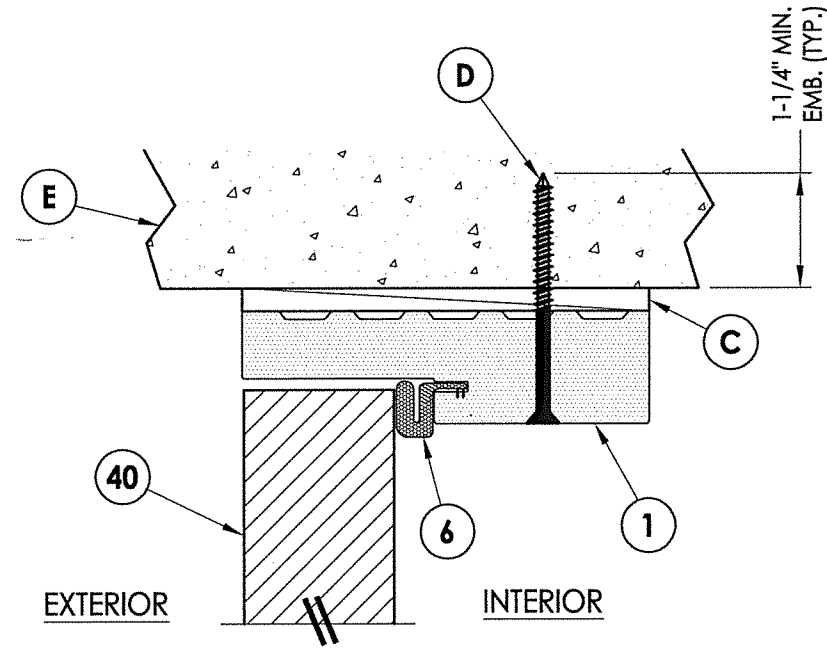


4 HORIZONTAL CROSS SECTION
6 Outswing shown (Inswing similar)

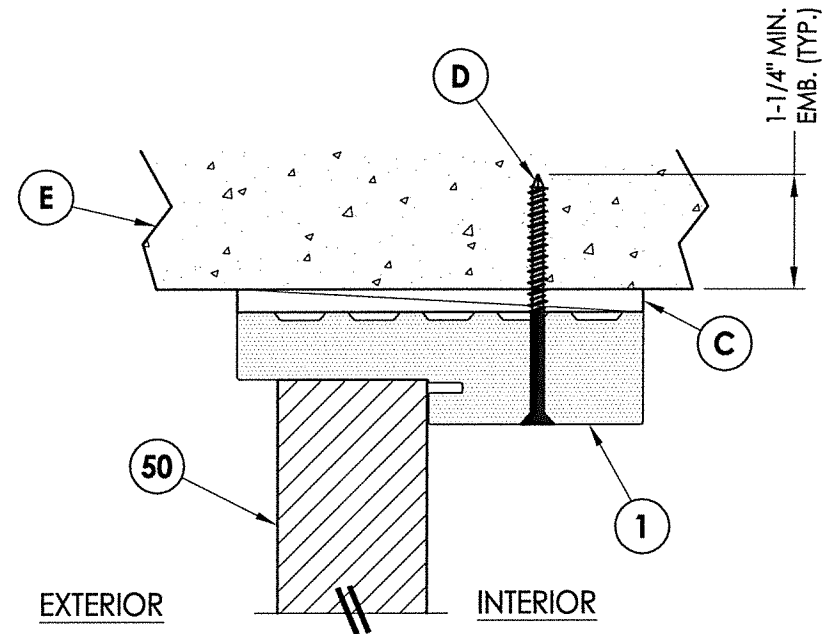


Documents Prepared By:
 Lyndon F. Schmidt
 P.E. No. 43409
 8.3.17
 R.W. BUILDING CONSULTANTS, INC.
 P.O. Box 230, Valrico, FL 33595
 Phone No.: 813.659.9197
 FBPE C.A. No. 9813

PRODUCT:	SURE ROCK FIBERGLASS DOORS						
PART OR ASSEMBLY:	HORIZONTAL & VERTICAL CROSS SECTIONS (1X BUCK)						
DATE:	5/17/16						
SCALE:	N.T.S.						
DWG. BY:	JK						
CHK. BY:	LFS						
DRAWING NO.:	FL-20474.2						
SHEET	6 OF 11						
REVISIONS	<table border="1"> <thead> <tr> <th>NO.</th> <th>DATE</th> <th>BY</th> </tr> </thead> <tbody> <tr> <td>1</td> <td>8/03/17</td> <td>UPDATE TO 6TH ED. (2017) FBC</td> </tr> </tbody> </table>	NO.	DATE	BY	1	8/03/17	UPDATE TO 6TH ED. (2017) FBC
NO.	DATE	BY					
1	8/03/17	UPDATE TO 6TH ED. (2017) FBC					

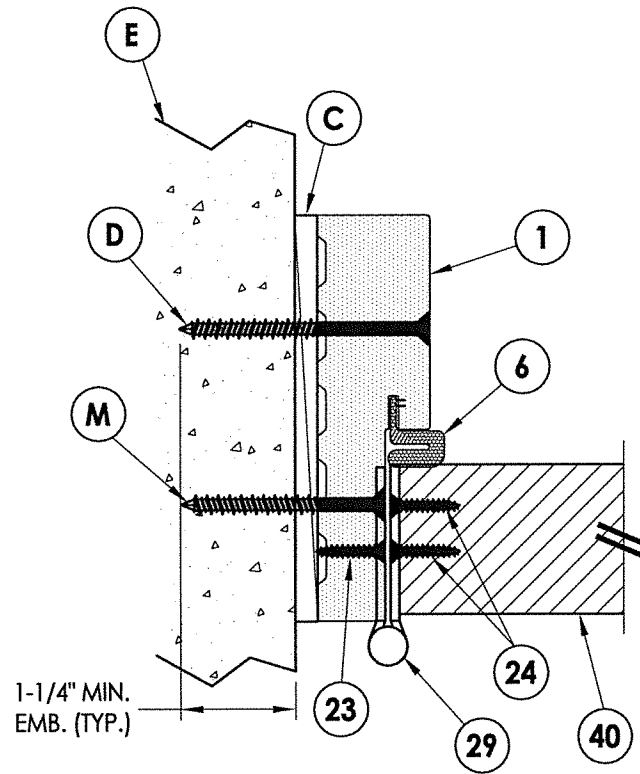


1
7 **VERTICAL CROSS SECTION**
Outswing shown (Inswing similar)



2
7 **VERTICAL CROSS SECTION**
Outswing shown (Inswing similar)

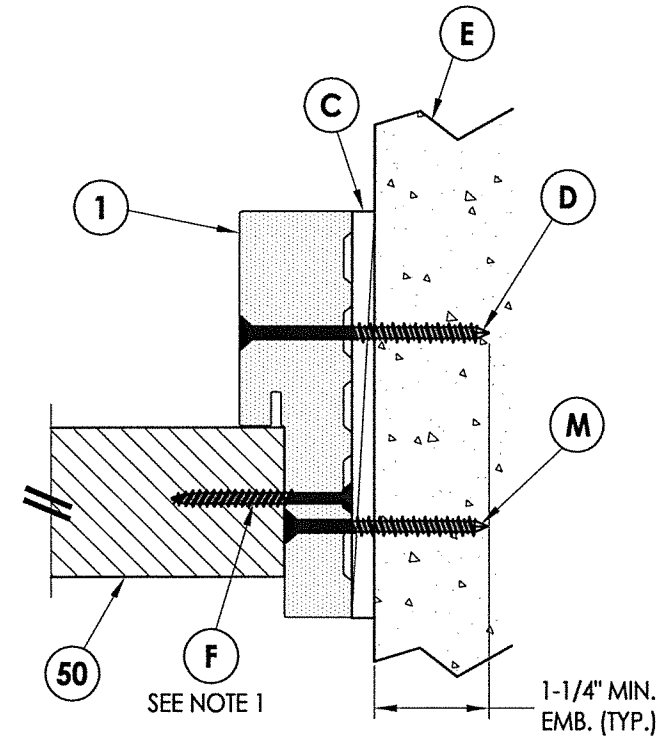
NOTE:
1. Spacing for item F: 6" from ends and 4 more equally spaced along sidelite (6 total).



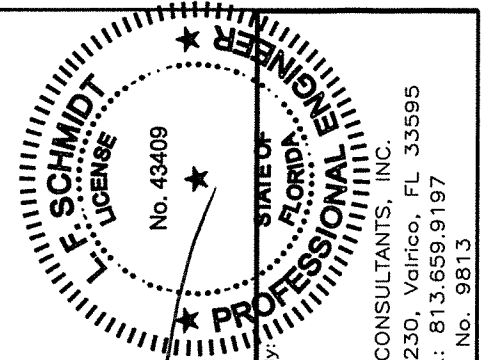
3
7 **HORIZONTAL CROSS SECTION**
Outswing shown (Inswing similar)

INTERIOR

EXTERIOR



4
7 **HORIZONTAL CROSS SECTION**
Outswing shown (Inswing similar)

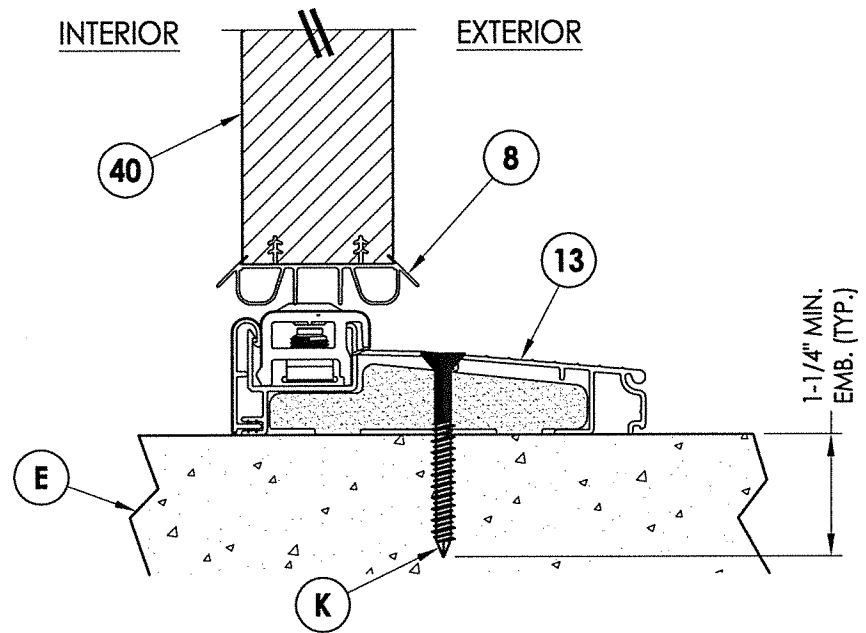


Documents Prepared By:
Lyndon F. Schmidt
P.E. No. 43409
RW
BUILDING CONSULTANTS, INC.
P.O. Box 230, Valrico, FL 33595
Phone No.: 813.659.9197
FBPE C.A. No. 9813

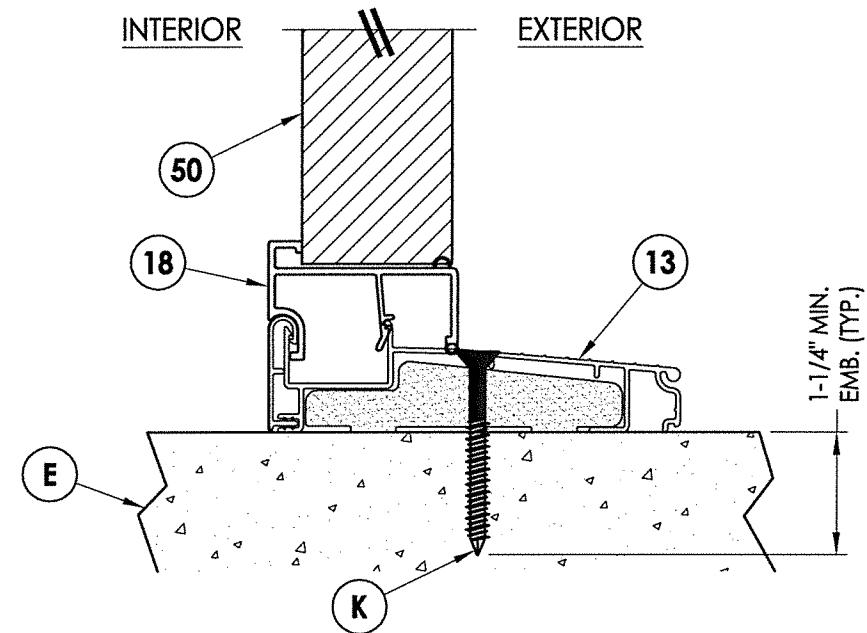
PRODUCT: SURE ROCK FIBERGLASS DOORS
PART OR ASSEMBLY: HORIZONTAL & VERTICAL CROSS SECTIONS (DIRECT TO MASONRY)

NO.	DATE	BY	REVISIONS
1	8/03/17	LFS	UPDATE TO 6TH ED. (2017)
		FBC	

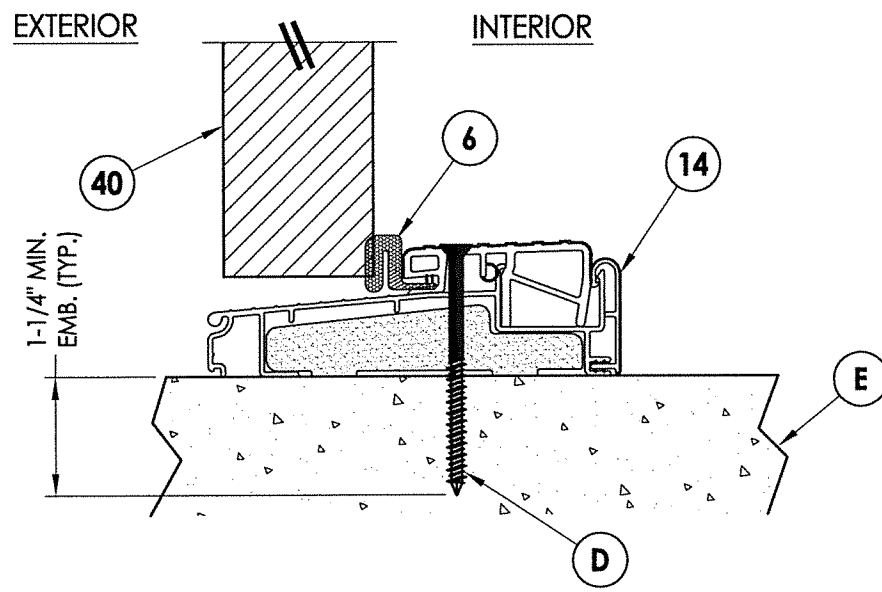
DATE: 5/17/16
SCALE: N.T.S.
DWG. BY: JK
CHK. BY: LFS
DRAWING NO.: FL-20474.2
SHEET 7 OF 11



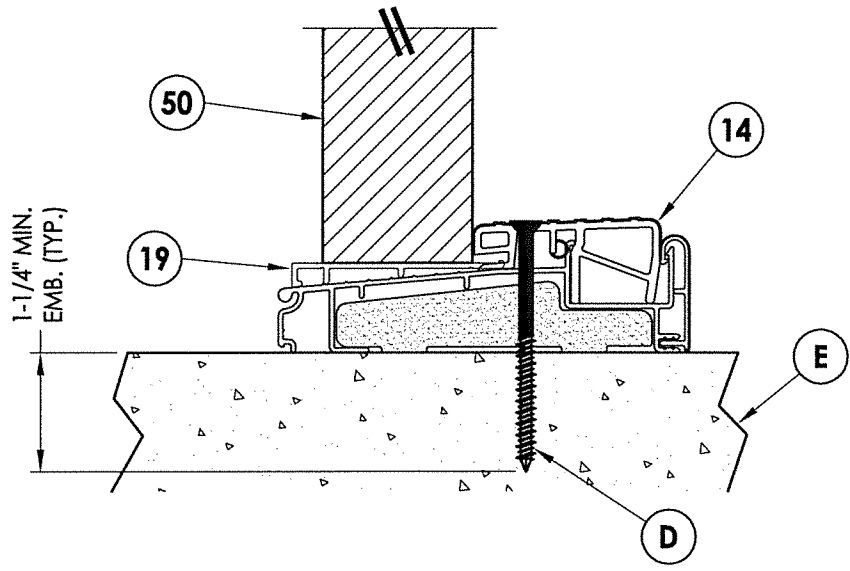
1 VERTICAL CROSS SECTION
8 Inswing Threshold



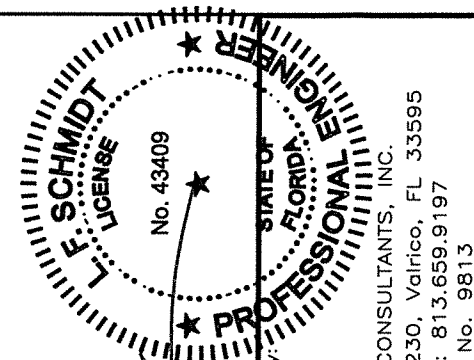
3 VERTICAL CROSS SECTION
8 Inswing Threshold



2 VERTICAL CROSS SECTION
8 Outswing Threshold

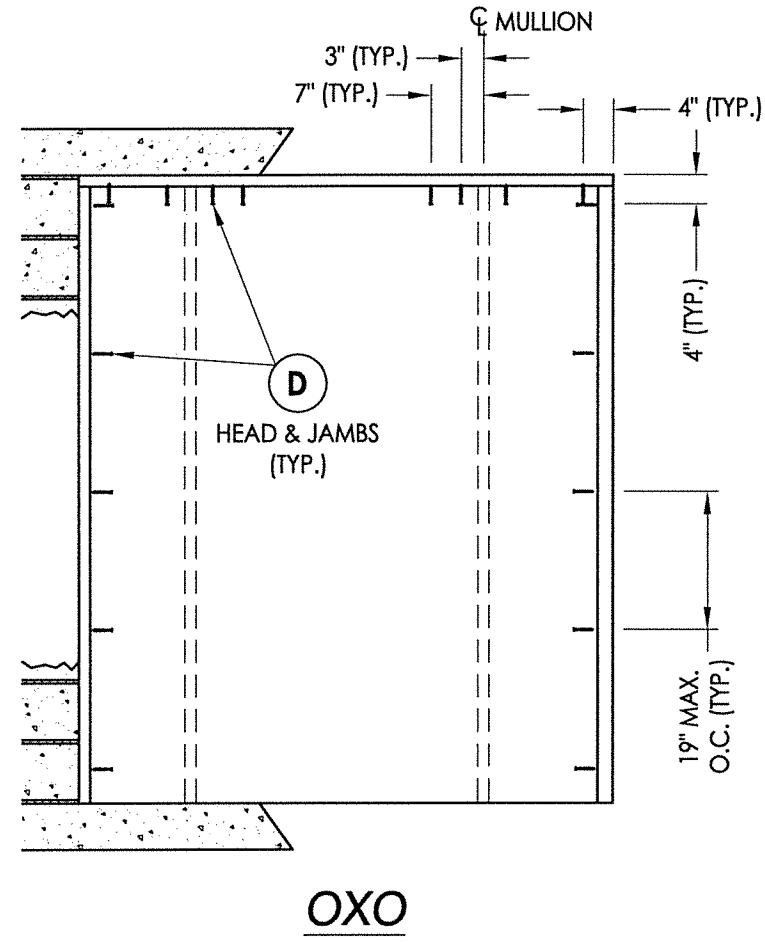
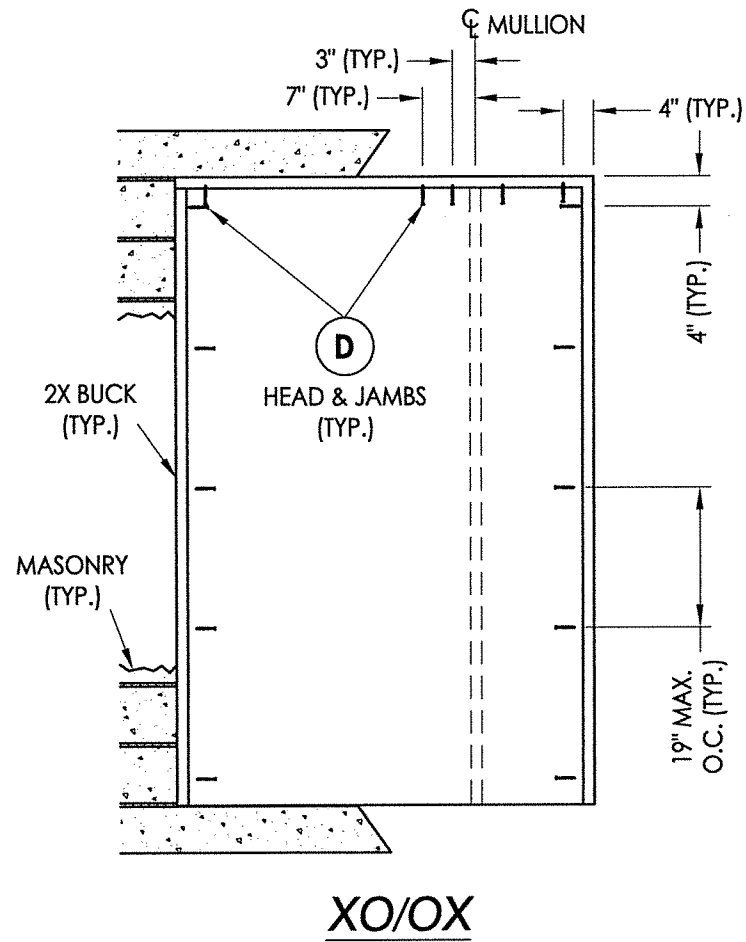


4 VERTICAL CROSS SECTION
8 Outswing Threshold



Documents Prepared By:
Lyndon F. Schmidt
P.E. No. 43409
RW
BUILDING CONSULTANTS, INC.
P.O. Box 230, Valrico, FL 33595
Phone No.: 813.659.9197
FBPE C.A. No. 9813

PRODUCT:	SURE ROCK FIBERGLASS DOORS	
PART OR ASSEMBLY:	VERTICAL CROSS SECTIONS (THRESHOLDS)	
DATE:	5/17/16	
SCALE:	N.T.S.	
DWG. BY:	JK	
CHK. BY:	LFS	
DRAWING NO.:	FL-20474.2	
SHEET	8 OF 11	
NO.	DATE	REVISIONS
1	8/03/17	UPDATE TO 6TH ED. (2017) FBC
		LFS
		BY



2X BUCK ANCHORING

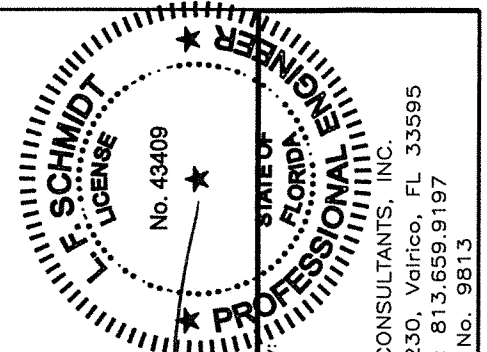
CONCRETE ANCHOR NOTES:

1. Concrete anchor locations at the corners may be adjusted to maintain the min. edge distance to mortar joints.
2. Concrete anchor locations noted as "MAX. ON CENTER" must be adjusted to maintain the min. edge distance to mortar joints, additional concrete anchors may be required to ensure the "MAX. ON CENTER" dimension are not exceeded.
3. Concrete anchor table:

ANCHOR TYPE	ANCHOR SIZE	MIN. EMBEDMENT	MIN. CLEARANCE TO MASONRY EDGE	MIN. CLEARANCE TO ADJACENT ANCHOR
ITW TAPCON®	1/4"	1-1/4"	2"	4"
ELCO ULTRACON®	1/4"	1-1/4"	1"	4"

WOOD SCREW INSTALLATION NOTES:

1. Maintain a minimum 5/8" edge distance, 1" end distance, & 1" o.c. spacing of wood screws to prevent the splitting of wood.



Documents Prepared By:
Lyndon F. Schmidt
P.E. No. 43409

RW BUILDING CONSULTANTS, INC.
P.O. Box 230, Vairico, FL 33595
Phone No.: 813.659.9197
FBPE C.A. No. 9813

PRODUCT:
SURE ROCK
FIBERGLASS DOORS

PART OR ASSEMBLY:
BUCK ANCHORING

NO.	DATE	BY	REVISIONS
1	8/03/17	LFS	UPDATE TO 6TH ED. (2017) FBC

DATE: 5/17/16

SCALE: N.T.S.

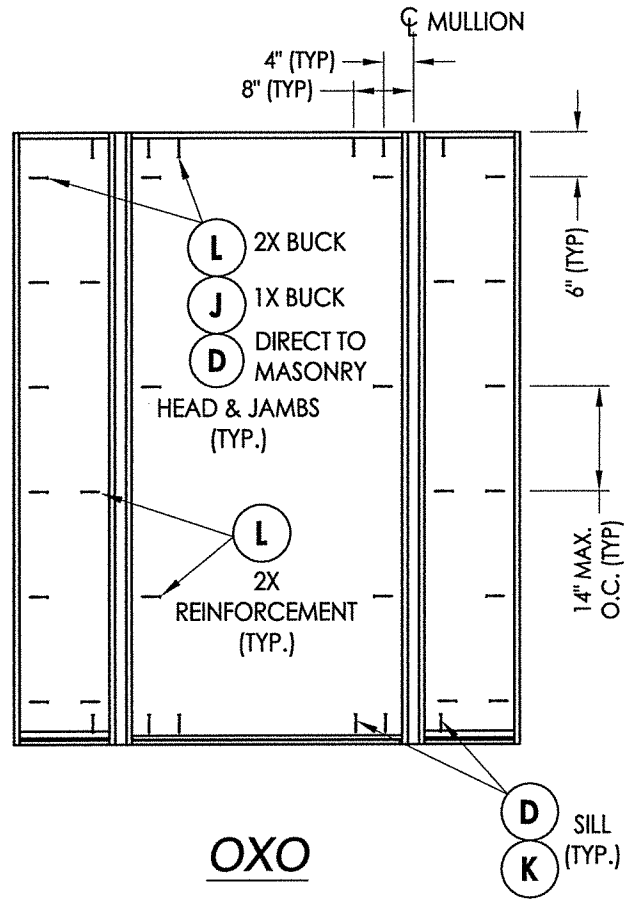
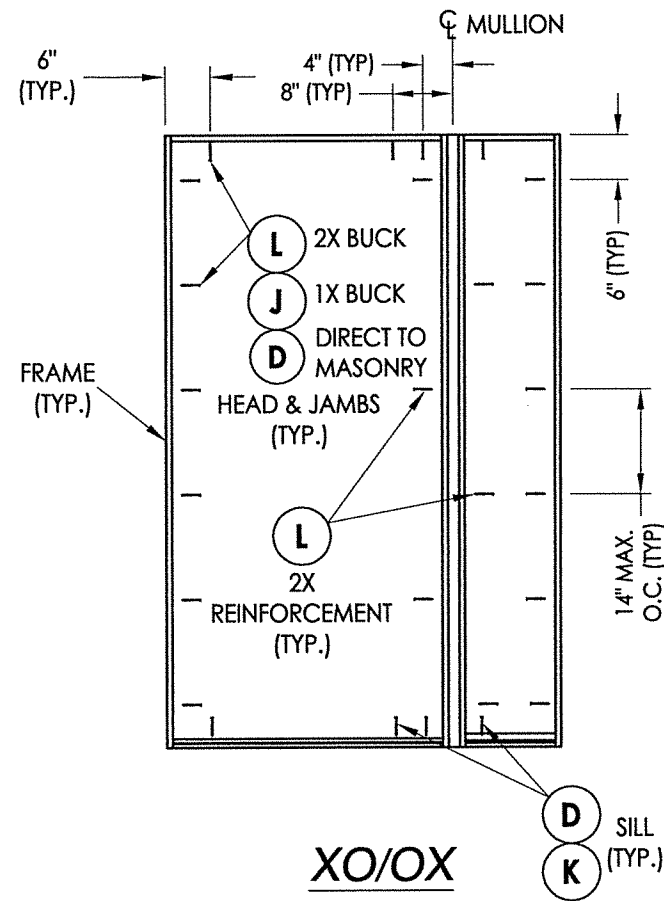
DWG. BY: JK

CHK. BY: LFS

DRAWING NO.:

FL-20474.2

SHEET 9 OF 11



FRAME ANCHORING

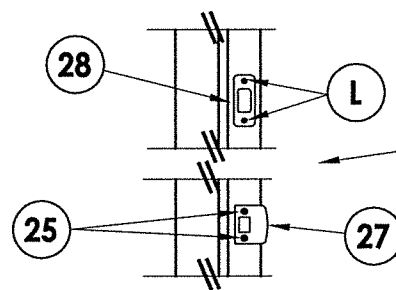
CONCRETE ANCHOR NOTES:

- Concrete anchor locations at the corners may be adjusted to maintain the min. edge distance to mortar joints.
- Concrete anchor locations noted as "MAX. ON CENTER" must be adjusted to maintain the min. edge distance to mortar joints, additional concrete anchors may be required to ensure the "MAX. ON CENTER" dimension are not exceeded.
- Concrete anchor table:

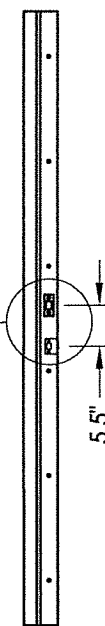
ANCHOR TYPE	ANCHOR SIZE	MIN. EMBEDMENT	MIN. CLEARANCE TO MASONRY EDGE	MIN. CLEARANCE TO ADJACENT ANCHOR
ITW TAPCON®	1/4"	1-1/4"	2"	4"
ELCO ULTRACON®	1/4"	1-1/4"	1"	4"
ITW TAPCON®	3/16"	1-1/4"	3"	1-1/2"

WOOD SCREW INSTALLATION NOTES:

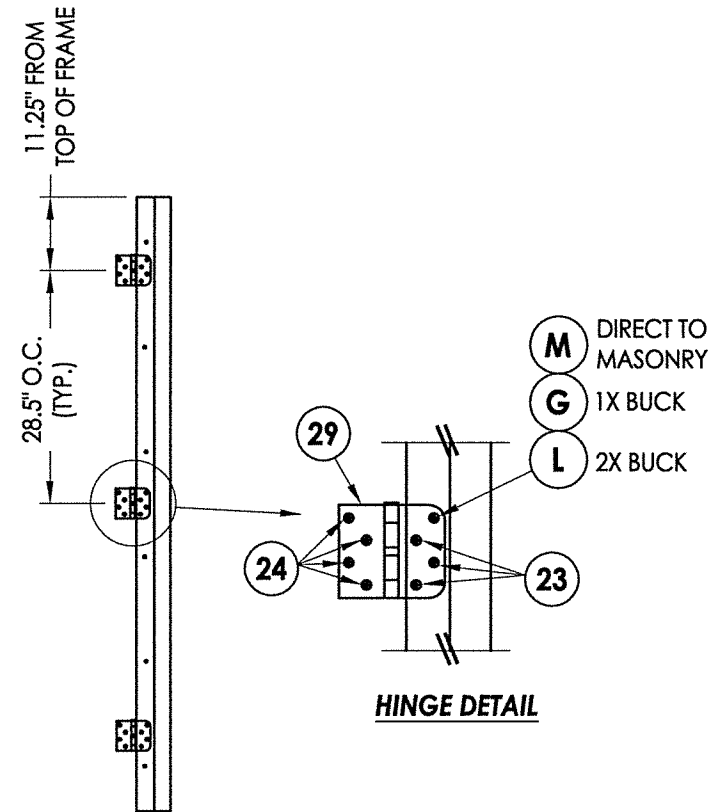
- Maintain a minimum 5/8" edge distance, 1" end distance, & 1" o.c. spacing of wood screws to prevent the splitting of wood.



LATCH AND DEADBOLT STRIKE PLATE DETAILS

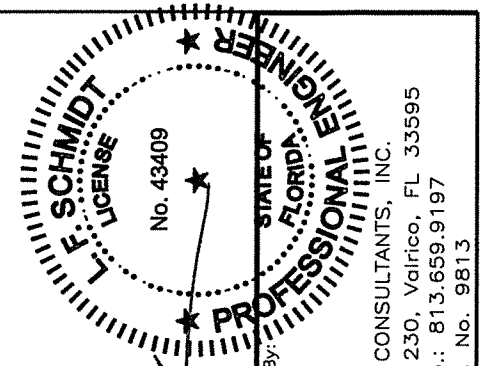


STRIKE JAMB



HINGE DETAIL

HINGE JAMB



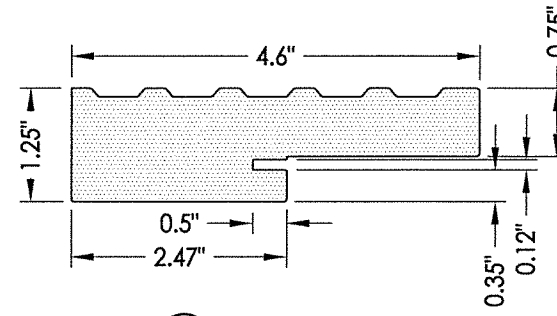
Documents Prepared By:
Lyndon F. Schmidt
P.E. No. 43409

R.W. BUILDING CONSULTANTS, INC.
P.O. Box 230, Vairico, FL 33595
Phone No.: 813.659.9197
FBPE C.A. No. 9813

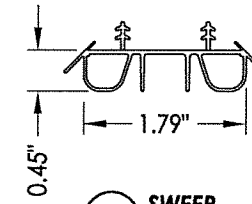
PRODUCT:	SURE ROCK FIBERGLASS DOORS
PART OR ASSEMBLY:	FRAME ANCHORING
DATE:	5/17/16
SCALE:	N.T.S.
DWG. BY:	JK
CHK. BY:	LFS
DRAWING NO.:	FL-20474.2
SHEET	10 OF 11

R:\Clients\HM Sure Rock PERMANENTVA - Florida Product Approvals\FL-20474\C - Drawings\FL-20474 (2014)\FL-20474.1-3.dwg, 11.2

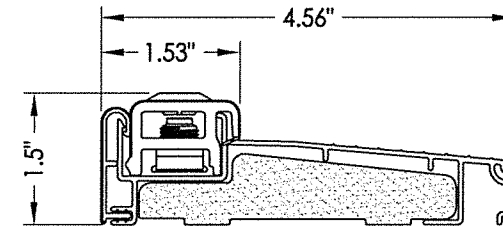
BILL OF MATERIALS		
ITEM #	DESCRIPTION	MATERIAL
A	1X BUCK (SG >= 0.42)	WOOD
B	2X BUCK (SG >= 0.42)	WOOD
C	1/4" MAX. SHIM SPACE	-
D	1/4" X 2-3/4" PFH ELCO OR ITW CONCRETE SCREW	STEEL
E	MASONRY - 3,000 PSI MIN. CONCRETE CONFORMING TO ACI 301 OR HOLLOW BLOCK CONFORMING TO ASTM C90	CONCRETE
G	3/16" X 3-1/4" PFH ITW CONCRETE SCREW	STEEL
J	1/4" X 3-3/4" PFH ELCO OR ITW CONCRETE SCREW	STEEL
K	1/4" X 2-1/4" PFH ELCO OR ITW CONCRETE SCREW	STEEL
L	#10 X 2-1/2" PFH WOOD SCREW (1.15" MIN. EMBEDMENT)	STEEL
M	3/16" X 2-1/4" PFH ITW CONCRETE SCREW	STEEL
X	2X REINFORCEMENT (SG >= 0.55)	WOOD
1	FRAME (SURE JAMB)	COMP
6	WEATHERSTRIP (Q-LON)	FOAM
8	SWEEP	VINYL
13	INSWING THRESHOLD	ALUM/COMP
14	OUTSWING THRESHOLD	ALUM/COMP
18	INSWING SIDELITE SPACER	PVC
19	OUTSWING SIDELITE SPACER	PVC
23	#10 x 3/4" PFH WOOD SCREW	STEEL
24	#10 x 1" PFH WOOD SCREW	STEEL
25	#8 x 2-1/2" PFH WOOD SCREW	STEEL
27	LATCH STRIKE PLATE	STEEL
28	DEADBOLT STRIKE PLATE	STEEL
29	4" X 4" HINGE	STEEL
40	DOOR PANEL	-



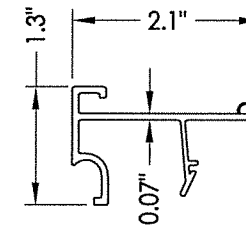
1 FRAME SURE JAMB



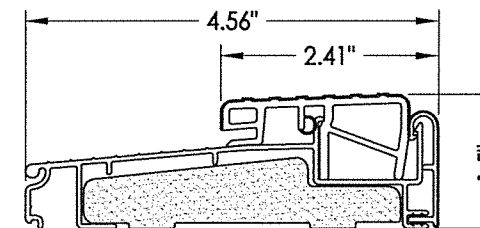
8 SWEEP



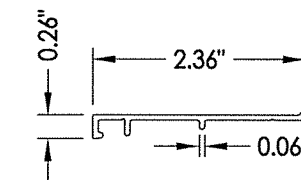
13 INSWING THRESHOLD ENDURA (Z-SERIES)



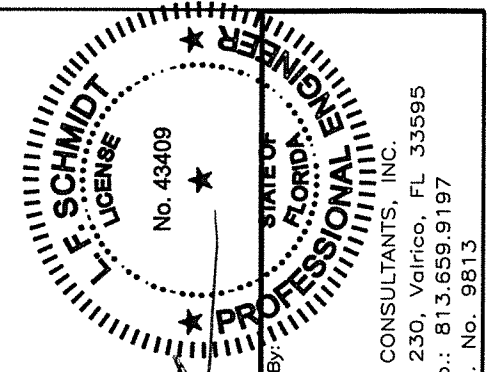
18 INSWING SIDELITE SPACER



14 OUTSWING THRESHOLD ENDURA (Z-SERIES)



19 OUTSWING SIDELITE SPACER



Documents Prepared By:
Lyndon F. Schmidt
P.E. No. 43409

R.W. BUILDING CONSULTANTS, INC.
P.O. Box 230, Vairico, FL 33595
Phone No.: 813.659.9197
FBPE C.A. No. 9813

PRODUCT:
SURE ROCK
FIBERGLASS DOORS

PART OR ASSEMBLY:
BILL OF MATERIALS
& COMPONENTS

NO.	DATE	DESCRIPTION
1	8/03/17	UPDATE TO 6TH ED. (2017) FBC

REVISIONS

DATE: 5/17/16
SCALE: N.T.S.
DWG. BY: JK
CHK. BY: LFS
DRAWING NO.: FL-20474.2
SHEET 11 OF 11